



THE 'P' RANGE OF FLOOR AND WALL MOUNTING ENCLOSURES

FEATURES INCLUDE:

A FULL RANGE OF SIZES FROM 1 TO 7

LOUVRED SIDE PANELS

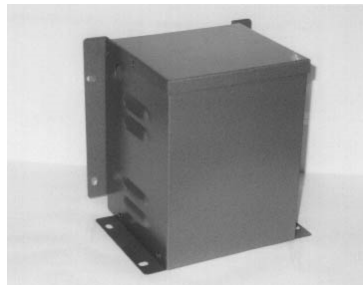
STANDARD FINISH GRAPHITE GREY POWDER COAT

IP22 PROTECTION

PRODUCED IN CR4

EARTH STUDS PRESSWELDED TO ALL THREE COMPONENTS

RADIUSED CORNERS AS A SAFETY FEATURE



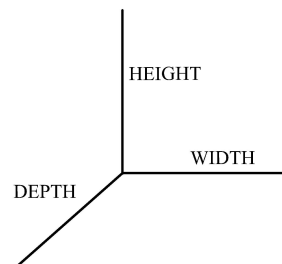
'P' RANGE INTERNAL DIMENSIONS

CASE REFERENCE	INTERNAL DIMENSIONS (mm)		
	WIDTH	DEPTH	HEIGHT
P1	127	112	173
P2	150	150	202
P3	191	175	222
P4	256	213	248
P5	274	240	330
P6	304	303	430
P7	364	332	454

'P' RANGE EXTERNAL DIMENSIONS

CASE REFERENCE	EXTERNAL DIMENSIONS (mm)		
	WIDTH	DEPTH	HEIGHT
P1	197	114	194
P2	220	152	223
P3	270	177	244
P4	338	215	270
P5	350	242	353
P6	384	305	454
P7	436	334	480

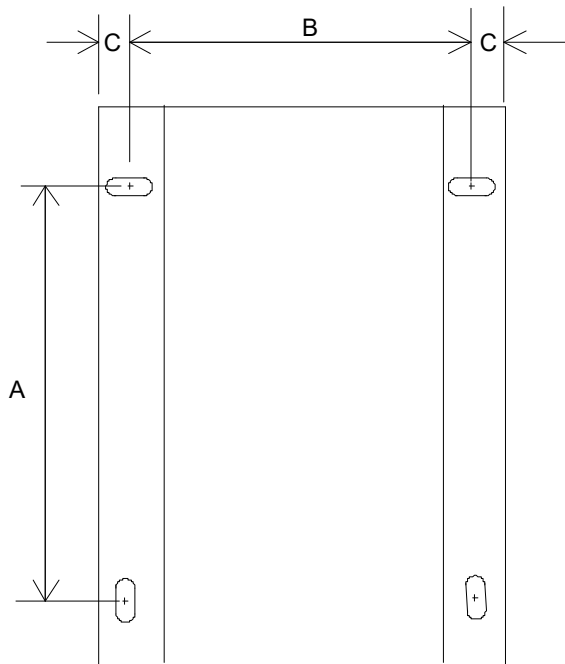
Jan 2014 Issue 5



ASCO Components P Case Details (Continued)

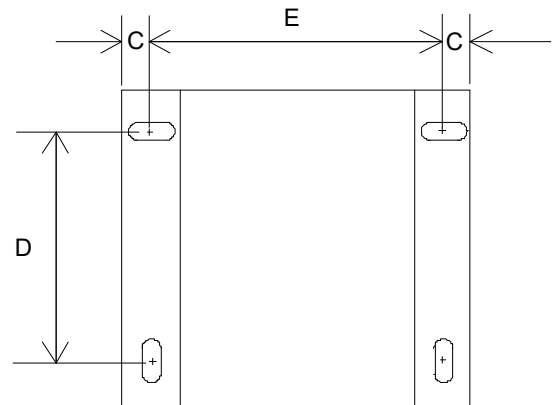
CASE REFERENCE	A	B	C	D	E	SLOT
P1	133	161	17	66	161	11 X 8
P2	133	184	17	93	184	11 X 8
P3	153	230	20	113	230	11 X 8
P4	179	296	20	153	296	11 X 8
P5	229	311	18	158	311	11 X 8
P6	275	343	20	159	343	11 X 8
P7	300	399	18	189	399	11 X 8

All dimensions in mm.



BASELINE

REAR VIEW



FRONT EDGE

BASE VIEW

20mm dia conduit hole in both sides of case at top rear of body#