



TRANSFORMER COMPONENTS??
ASK ASCO!!

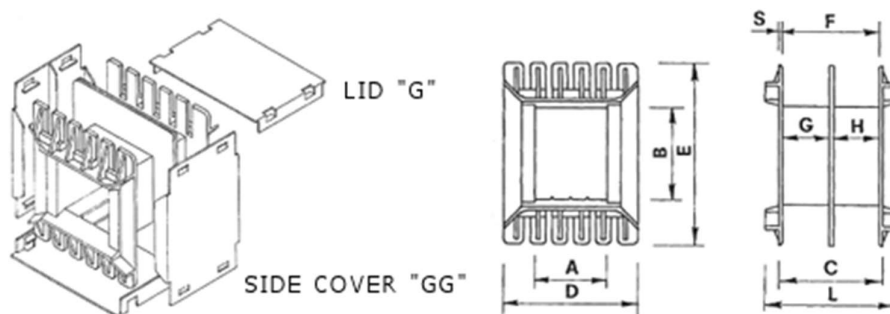
www.ascocomponents.co.uk

sales@ascocomponents.co.uk

EI 126 G FLANGE

Lam 105x126

TYPE	REF.	a	b	c	d	e	f	g	h	s	L	GG	T
EI 126/43	4243G/1-2	43,1	42,0	62,3	81,6	89,6	58,3	28,0	28,0	1,60	71,0		
EI 126/50	4250G/1-2	43,2	50,0	62,3	81,6	97,6	58,3	28,0	28,0	1,60	71,0		
EI 126/60	4260G/1-2	43,2	60,0	62,3	81,6	107,6	58,3	28,0	28,0	1,60	71,0		
EI 126/70	4270G/1-2	43,3	70,0	62,3	81,6	117,6	58,6	28,0	28,0	1,55	71,0		
EI 126/80	4280G/1-2	43,3	80,0	62,3	81,6	127,6	58,6	28,0	28,0	1,55	71,0		



TEMPERATURE AND FLAMABILITY RATINGS OF STANDARD MATERIALS

Material Ref	Base Material	Temperature Class (2000h)	Conforming to standards	UL94
RP3	Nylon6 +30% glass reinforced	F (155°C)	IEC85 ASTM ISO/VDE DIN	HB
RP5	Nylon 6.6 +25% glass reinforced	B (130°C)		V0
RP7	Pet +30% glass reinforced	H (180°C)		V0