



TRANSFORMER COMPONENTS??
ASK ASCO!!

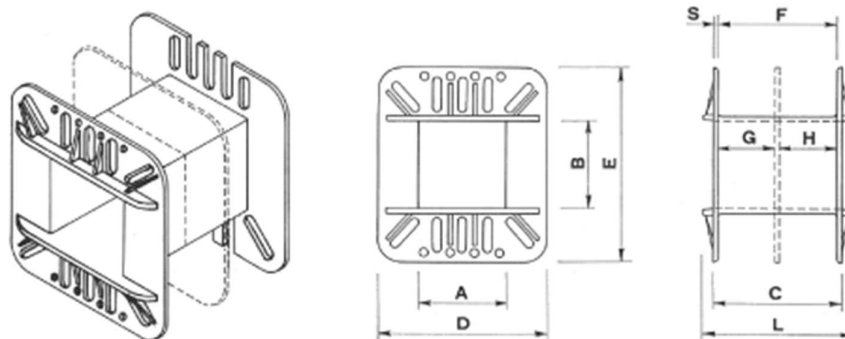
www.ascocomponents.co.uk

sales@ascocomponents.co.uk

EI 135 V FLANGE

Lam 112,5x135

TYPE	REF.	a	b	c	d	e	f	g	h	x1	x2	x3	S	L
EI 135/45	4545V/1-2	45,7	45	66,6	89,0	100,0	63,0	31,6	28,2				1,8	72,0
EI 135/60	4560V/1-2	45,7	60	66,6	89,0	115,0	63,0	31,6	28,2				1,8	72,0
EI 135/70	4570V/1	45,7	70	66,6	89,0	125,0	63,0	31,6	28,2				1,8	72,0
EI 135/85	4585V/1	45,8	85	66,6	89,0	140,0	63,0						1,8	74,0
EI 135/90	4590V/1	45,7	90	66,6	89,0	145,0	63,0						1,8	74,



TEMPERATURE AND FLAMABILTY RATINGS OF STANDARD MATERIALS

Material Ref	Base Material	Temperature Class (2000h)	Conforming to standards	UL94
RP3	Nylon6 +30% glass reinforced	F (155°C)	IEC85 ASTM ISO/VDE DIN	HB
RP5	Nylon 6.6 +25% glass reinforced	B (130°C)		V0
RP7	Pet +30% glass reinforced	H (180°C)		V0