



TRANSFORMER COMPONENTS??
ASK ASCO!!

www.ascocomponents.co.uk

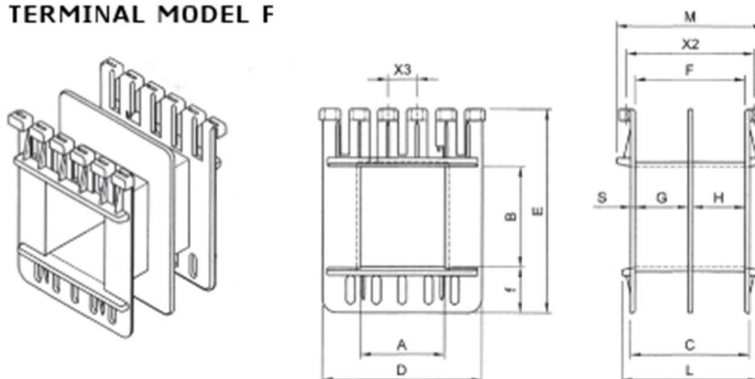
sales@ascocomponents.co.uk

EI 84 F FLANGE (TERMINAL VERSION)

Lam 70x84

TYPE	REF.	a	b	c	d	e	f	g	h	X2	X3	s	t
EI 84/21	F 2821/2	28,8	21,2	40,8	55	57	38	18,5	18,5	45	10	1,5	50
EI 84/35	F 2835/2	28,8	35,2	40,8	55	71	38	18,5	18,5	45	10	1,5	50
EI 84/56	F 2856/2	28,8	56,2	40,8	55	92	38	18,2	18,5	45	10	1,5	50

TERMINAL MODEL F



TEMPERATURE AND FLAMABILTY RATINGS OF STANDARD MATERIALS

Material Ref	Base Material	Temperature Class (2000h)	Conforming to standards	UL94
RP3	Nylon6 +30% glass reinforced	F (155°C)	IEC85 ASTM ISO/VDE DIN	HB
RP5	Nylon 6.6 +25% glass reinforced	B (130°C)		V0
RP7	Pet +30% glass reinforced	H (180°C)		V0