



TRANSFORMER COMPONENTS??
ASK ASCO!!

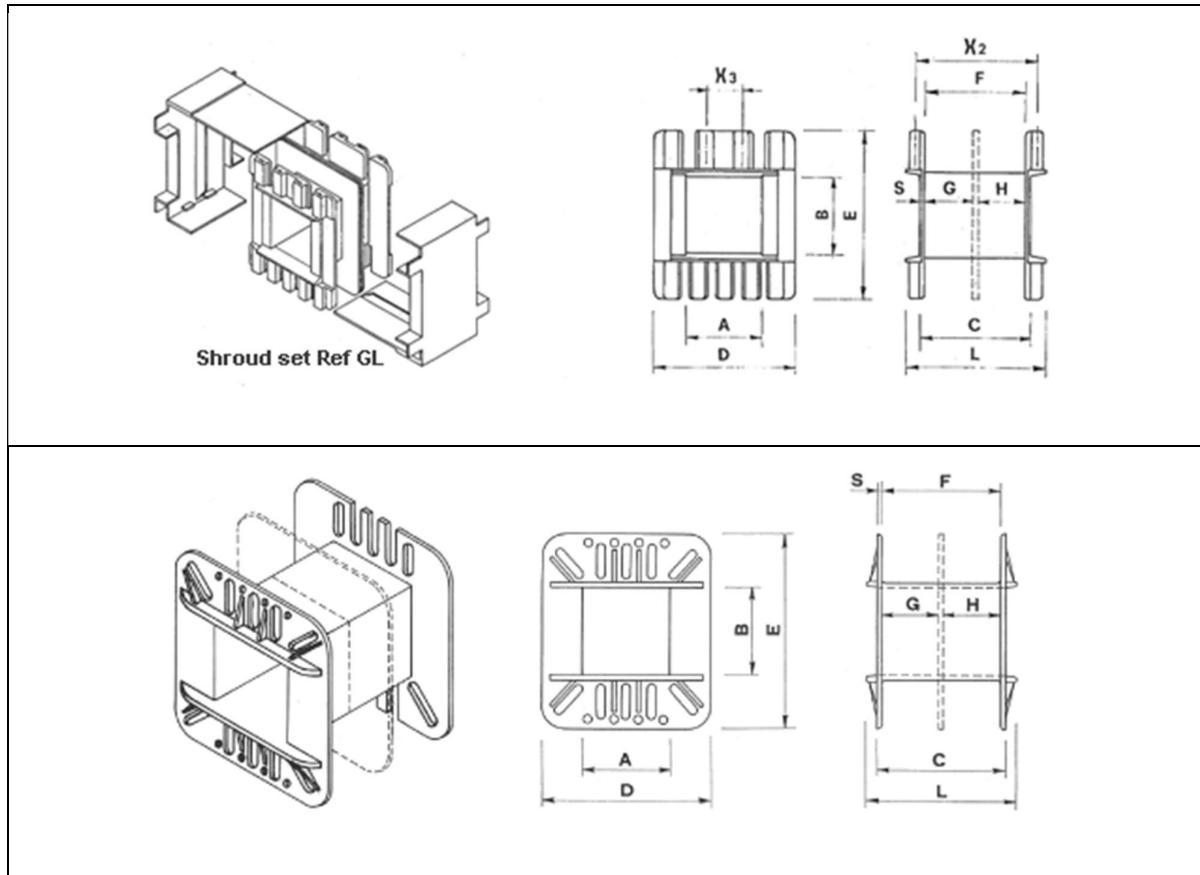
www.ascocomponents.co.uk

info@ascocomponents.co.uk

EI 57 (UK Pat 35)

**Lam
47x57**

TYPE	REF.	a	b	c	d	e	f	g	h	x1	x2	x3	S	L	GL	x4	Number of Terminals	STYLE
EI 57/19	1919V/1-2	19,5	19,0	28,0	36,2	43,5	25,6	12,0	12,0				1,2	29,5				1
EI 57/19	1919T/1-2	19,5	19,0	28,0	36,0	42,0	25,8	13,9	10,2				1,4	29,0	X		4 x 5	2
EI 57/25	1925V/1-2	19,5	25,0	28,0	36,2	45,0	25,0	12,5	11,5				1,5	28,0				1
EI 57/25	1925T/1-2	19,5	25,0	28,0	36,0	48,0	25,8	13,9	10,2	29,0	9,7		1,4	36,0	X		4 x 5	2



TEMPERATURE AND FLAMABILITY RATINGS OF STANDARD MATERIALS

Material Ref	Base Material	Temperature Class (2000h)	Conforming to standards	UL94
RP3	Nylon6 +30% glass reinforced	F (155°C)	IEC85 ASTM ISO/VDE DIN	HB
RP5	Nylon 6.6 +25% glass reinforced	B (130°C)		V0
RP7	Pet +30% glass reinforced	H (180°C)		V0