



TRANSFORMER COMPONENTS??  
ASK ASCO!!

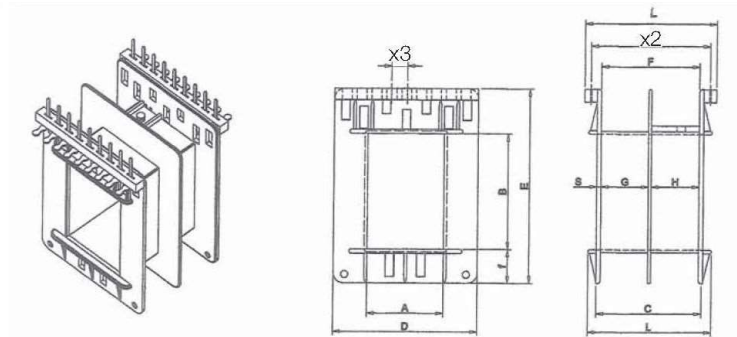
[www.ascocomponents.co.uk](http://www.ascocomponents.co.uk)

[sales@ascocomponents.co.uk](mailto:sales@ascocomponents.co.uk)

**EI 78 S FLANGE**

**Lam 65X78**

TYPE	REF.	a	b	c	d	e	f	g	h	x1	x2	x3	S	L	No of terminals
EI 78/40	2640S/2	26.9	40.8	37.8	50.8	68.8	34.5	16.8	16.6		43.0	5.0	1.5	46.2	2X9



TEMPERATURE AND FLAMABILITY RATINGS OF STANDARD MATERIALS

Material Ref	Base Material	Temperature Class (2000h)	Conforming to standards	UL94
RP3	Nylon6 +30% glass reinforced	F (155°C)	IEC85 ASTM ISO/VDE DIN	HB
RP5	Nylon 6.6 +25% glass reinforced	B (130°C)		V0
RP7	Pet +30% glass reinforced	H (180°C)		V0