

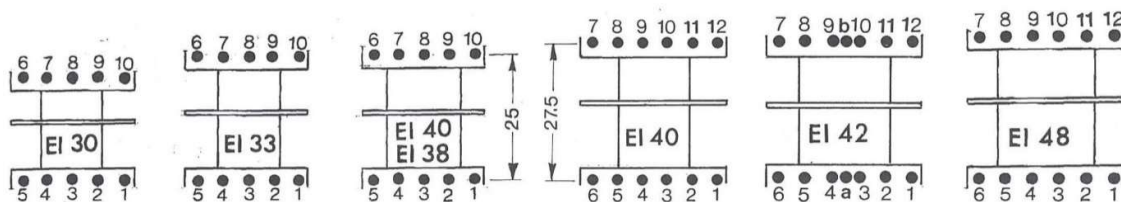
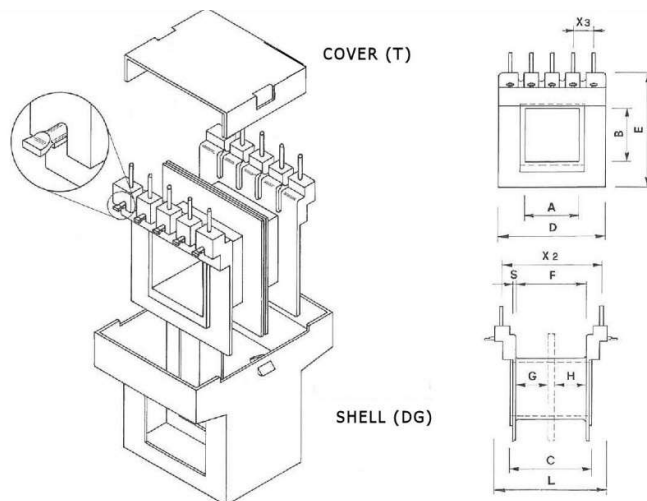


TRANSFORMER COMPONENTS??
ASK ASCO!!

www.ascocomponents.co.uk

sales@ascocomponents.co.uk

EI33 D FLANGE BOBBIN DETAIL



| TYPE | REF | a | b | c | d | e | f | g | h | x2 | x3 | Term | DG | T |
|-------------|-------------|------|------|------|------|------|------|-----|-----|------|-----|------|----|---|
| BBEI33/10.5 | 1010D33/1-2 | 10.6 | 10.6 | 16.8 | 21.5 | 25.0 | 14.8 | 5.6 | 7.7 | 20.0 | 5.0 | 5 | y | y |
| BBEI33/13 | 1013D/1-2 | 10.6 | 13.1 | 16.8 | 21.5 | 28.0 | 14.8 | 5.6 | 7.7 | 20.0 | 5.0 | 5 | Y | Y |
| BBEI33/15 | 1015D33/1-2 | 10.6 | 15.6 | 16.8 | 21.5 | 30.0 | 14.8 | 5.6 | 7.7 | 20.0 | 5.0 | 5 | Y | Y |
| BBEI33/18 | 1018D33/1-2 | 10.6 | 18.1 | 16.8 | 21.5 | 32.5 | 14.8 | 5.6 | 7.7 | 20.0 | 5.0 | 5 | Y | Y |

TEMPERATURE AND FLAMABILITY RATINGS OF STANDARD MATERIALS

| Material Ref | Base Material | Temperature Class (2000h) | Conforming to standards | UL94 |
|--------------|---------------------------------|---------------------------|---------------------------------|------|
| RP3 | Nylon6 +30% glass reinforced | F (155°C) | IEC85 ASTM ISO/VDE DIN | HB |
| RP5 | Nylon 6.6 +25% glass reinforced | B (130°C) | | V0 |
| RP7 | Pet +30% glass reinforced | H (180°C) | | V0 |