

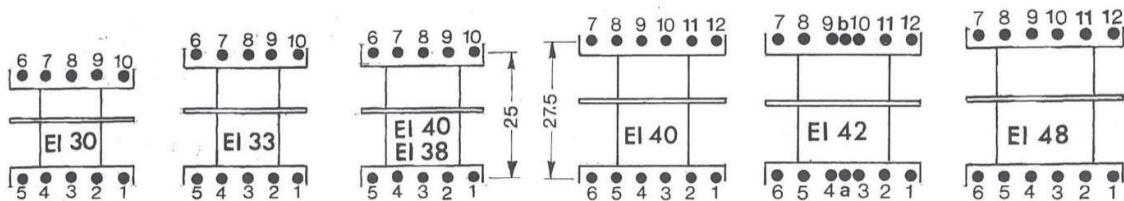
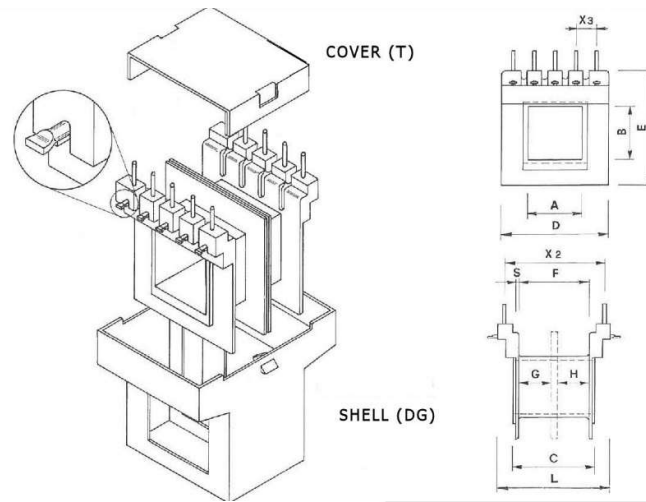


TRANSFORMER COMPONENTS??
ASK ASCO!!

www.ascocomponents.co.uk

sales@ascocomponents.co.uk

EI38D Flange Bobbin Detail



TYPE	REF	a	b	c	d	e	f	g	h	x2	x3	Term	DG	T
BBEI38/13	1313D/1-2	13.4	13.5	18.7	24.0	25.1	16.4	6.1	8.4	25.0	5.0	6	Y	Y
BBEI38/15	1315D/1-2	13.4	15.0	18.7	24.0	27.3	16.4	6.1	8.4	25.0	5.0	6	Y	Y

TEMPERATURE AND FLAMABILITY RATINGS OF STANDARD MATERIALS

Material Ref	Base Material	Temperature Class (2000h)	Conforming to standards	UL94
RP3	Nylon6 +30% glass reinforced	F (155°C)	IEC85 ASTM ISO/VDE DIN	HB
RP5	Nylon 6.6 +25% glass reinforced	B (130°C)		V0
RP7	Pet +30% glass reinforced	H (180°C)		V0