



TRANSFORMER COMPONENTS??
ASK ASCO!!

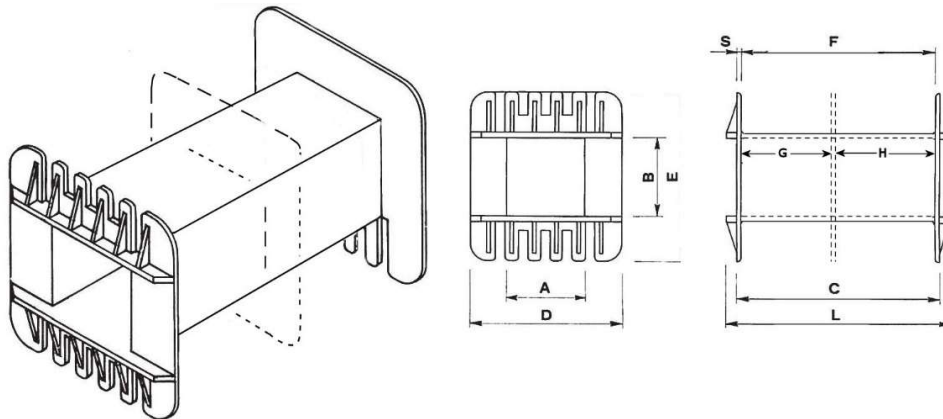
www.ascocomponents.co.uk

sales@ascocomponents.co.uk

UI 100

Lam 200x180

TYPE	REF.	a	b	c	d	e	f	g	h	x1	x2	x3	s	l
UI 100/40	4040100/1	41,0	40,0	98,5	73,0	85,0	94,5						1,8	104,0
UI 100/50	4050100/1	41,0	50,0	98,5	73,0	95,0	94,5						1,8	104,0
UI 100/60	4060100/1	41,0	60,0	98,5	73,0	105,0	94,5						1,8	104,0
UI 100/70	4070100/1	41,0	70,0	98,5	73,0	115,0	94,5						1,8	104,0
UI 100/100	40100100/1	41,0	100,0	98,5	73,0	145,0	94,5						1,8	104,0



TEMPERATURE AND FLAMABILITY RATINGS OF STANDARD MATERIALS

Material Ref	Base Material	Temperature Class (2000h)	Conforming to standards	UL94
RP3	Nylon6 +30% glass reinforced	F (155°C)	IEC85 ASTM ISO/VDE DIN	HB
RP5	Nylon 6.6 +25% glass reinforced	B (130°C)		V0
RP7	Pet +30% glass reinforced	H (180°C)		V0

www.ascocomponents.co.uk

Quality transformer components from the UK