



TRANSFORMER COMPONENTS??
ASK ASCO!!

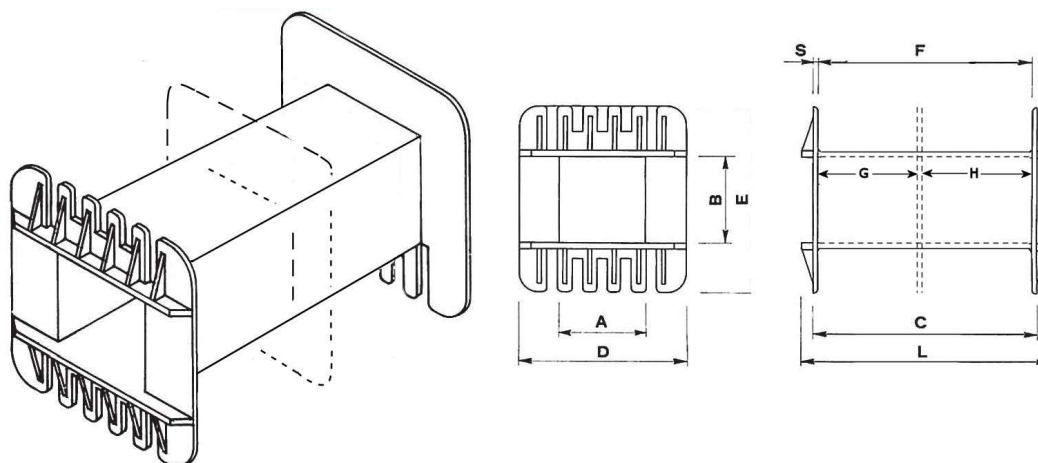
www.ascocomponents.co.uk

sales@ascocomponents.co.uk

UI 120

Lam 200x200

TYPE	REF.	a	b	c	d	e	f	g	h	Offset Double Section	S	l
UI 120/40	4040120/1-2	41,0	40,0	119,0	78,0	85,0	115,4	58,0	55,5		1,8	127,8
UI 120/40	4040120/62	41,0	40,0	119,0	78,0	85,0	115,4	62,5	51,0	■	1,8	127,8
UI 120/40	4040120/69	41,0	40,0	119,0	78,0	85,0	115,4	69,5	44,0	■	1,8	127,8
UI 120/50	4050120/1-2	41,0	50,0	119,0	78,0	95,0	115,4	56,0	54,0		1,8	127,8
UI 120/60	4060120/1-2	41,0	60,0	119,0	78,0	105,0	115,4	58,0	55,5		1,8	127,8
UI 120/60	4060120/60	41,0	60,0	119,0	78,0	105,0	115,4	60,0	53,5	■	1,8	127,8
UI 120/60	4060120/72	41,0	60,0	119,0	78,0	105,0	115,4	72,0	38,5	■	1,8	127,8
UI 120/75	4075120/1-2	41,0	75,0	119,0	78,0	120,0	115,4	58,0	55,5		1,8	127,8
UI 120/80	4080120/1	41,0	80,0	119,0	78,0	125,0	115,4				2,0	127,8
UI 120/80	4080120/72	41,0	80,0	119,0	78,0	125,0	115,4	72,0	38,5	■	2,0	127,8



TEMPERATURE AND FLAMABILITY RATINGS OF STANDARD MATERIALS

Material Ref	Base Material	Temperature Class (2000h)	Conforming to standards	UL94
RP3	Nylon6 +30% glass reinforced	F (155°C)	IEC85 ASTM ISO/VDE DIN	HB
RP5	Nylon 6.6 +25% glass reinforced	B (130°C)		V0
RP7	Pet +30% glass reinforced	H (180°C)		V0

www.ascocomponents.co.uk

Quality transformer components from the UK