



TRANSFORMER COMPONENTS??
ASK ASCO!!

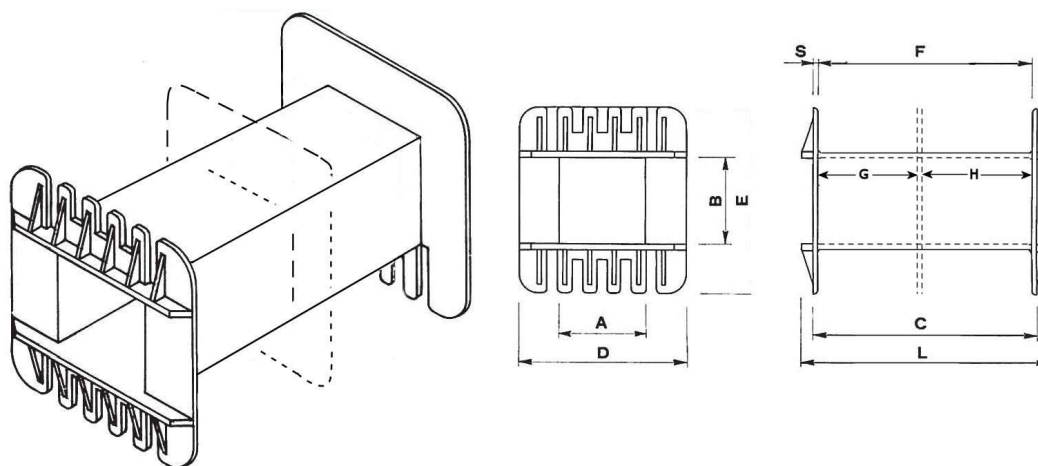
www.ascocomponents.co.uk

sales@ascocomponents.co.uk

UI 125

**Lam
250x225**

TYPE	REF.	a	b	c	d	e	f	g	h	s	L
UI 125/50	5050125/1	51,0	50,0	123,0	98,0	108,0	119,0			2	133,0



TEMPERATURE AND FLAMABILTY RATINGS OF STANDARD MATERIALS

Material Ref	Base Material	Temperature Class (2000h)	Conforming to standards	UL94
RP3	Nylon6 +30% glass reinforced	F (155°C)	IEC85 ASTM ISO/VDE DIN	HB
RP5	Nylon 6.6 +25% glass reinforced	B (130°C)		V0
RP7	Pet +30% glass reinforced	H (180°C)		V0