



TRANSFORMER COMPONENTS??
ASK ASCO!!

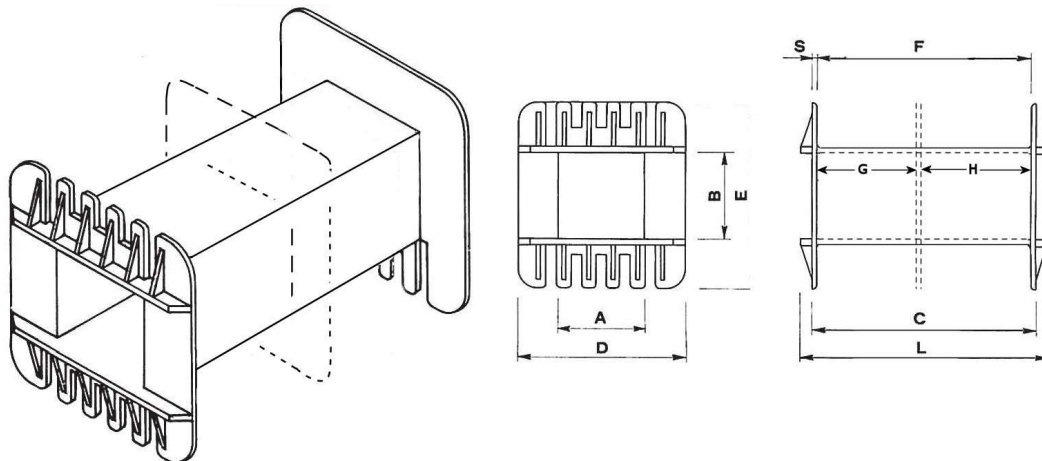
www.ascocomponents.co.uk

sales@ascocomponents.co.uk

UI 68

**Lam
110X120**

TYPE	REF.	a	b	c	d	e	f	g	h	x1	x2	x3	s	l
UI 68/40	234068/1	23,8	40,0	66,2	42,0	66,2	62,5						1,8	72,2



AVAILABLE IN A VARIETY OF MATERIALS

Material Ref	Base Material	Temperature Class (2000h)	Conforming to standards	UL94
RP3	Nylon6 +30% glass reinforced	F (155°C)	IEC85 ASTM ISO/VDE DIN	HB
RP5	Nylon 6.6 +25% glass reinforced	B (130°C)		V0
RP7	Pet +30% glass reinforced	H (180°C)		V0

www.ascocomponents.co.uk

Quality transformer components from the UK