



TRANSFORMER COMPONENTS??
ASK ASCO!!

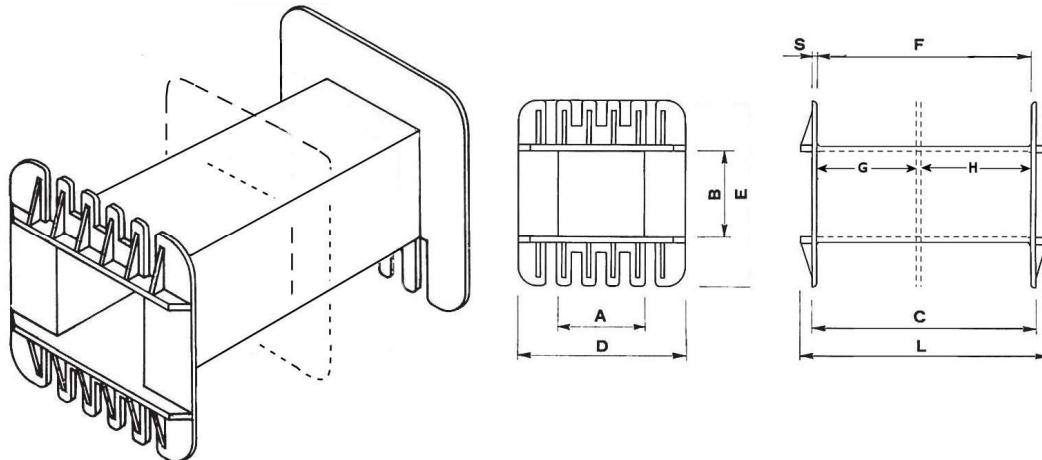
www.ascocomponents.co.uk

sales@ascocomponents.co.uk

UI 75

**Lam
125x125**

TYPE	REF.	a	b	c	d	e	f	g	h	x1	x2	x3	s	l
UI 75/25	252575/1	26,0	26,0	74,5	49,5	58,0	71,5						1,5	82,5
UI 75/30	253075/1	26,0	31,0	74,5	49,5	63,0	71,5						1,5	82,5
UI 75/40	254075/1	26,0	41,0	74,5	49,5	73,0	71,5						1,5	82,5



TEMPERATURE AND FLAMABILITY RATINGS OF STANDARD MATERIALS

Material Ref	Base Material	Temperature Class (2000h)	Conforming to standards	UL94
RP3	Nylon6 +30% glass reinforced	F (155°C)	IEC85 ASTM ISO/VDE DIN	HB
RP5	Nylon 6.6 +25% glass reinforced	B (130°C)		V0
RP7	Pet +30% glass reinforced	H (180°C)		V0

www.ascocomponents.co.uk

Quality transformer components from the UK