



TRANSFORMER COMPONENTS??
ASK ASCO!!

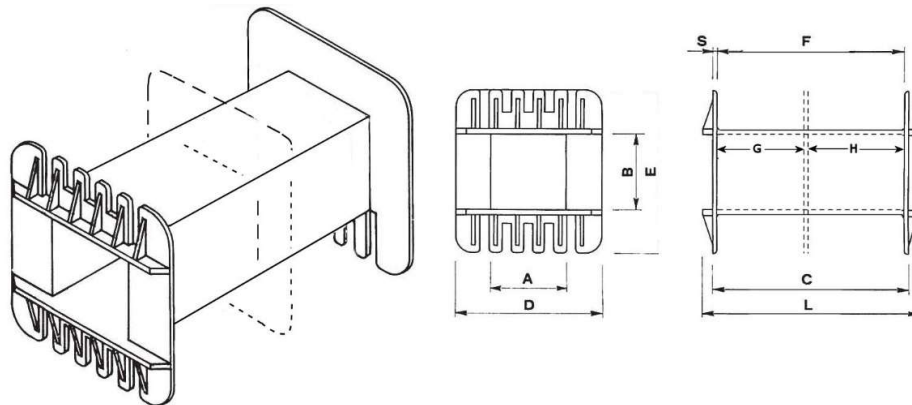
www.ascocomponents.co.uk

sales@ascocomponents.co.uk

UI 90

**Lam
150x150**

TYPE	REF.	a	b	c	d	e	f	g	h	x1	x2	x3	s	l
UI 90/30	303090/1-2	31,0	30,0	88,5	59,0	69,0	85,5	42,0	42,0				1,5	93,0
UI 90/35	303590/1-2	31,0	35,0	88,5	59,0	74,0	85,5	42,0	42,0				1,5	93,0
UI 90/40	304090/1-2	31,0	40,0	88,5	59,0	79,0	85,5	42,0	42,0				1,5	93,0
UI 90/45	304590/1-2	31,0	45,0	88,5	59,0	84,0	85,5	42,0	42,0				1,5	93,0
UI 90/50	305090/1-2	31,0	50,0	88,5	59,0	89,0	85,5	42,0	42,0				1,5	93,0
UI 90/55	305590/1-2	31,0	55,0	88,5	59,0	95,0	85,5	42,0	42,0				1,5	93,0
UI 90/60	306090/1-2	31,0	60,0	88,5	59,0	99,0	85,5	42,0	42,0				1,5	93,0
UI 90/75	307590/1-2	31,0	76,0	88,5	59,0	116,0	85,5	42,0	42,0				1,5	93,0



TEMPERATURE AND FLAMABILITY RATINGS OF STANDARD MATERIALS

Material Ref	Base Material	Temperature Class (2000h)	Conforming to standards	UL94
RP3	Nylon6 +30% glass reinforced	F (155°C)	IEC85 ASTM ISO/VDE DIN	HB
RP5	Nylon 6.6 +25% glass reinforced	B (130°C)		V0
RP7	Pet +30% glass reinforced	H (180°C)		V0

www.ascocomponents.co.uk

Quality transformer components from the UK