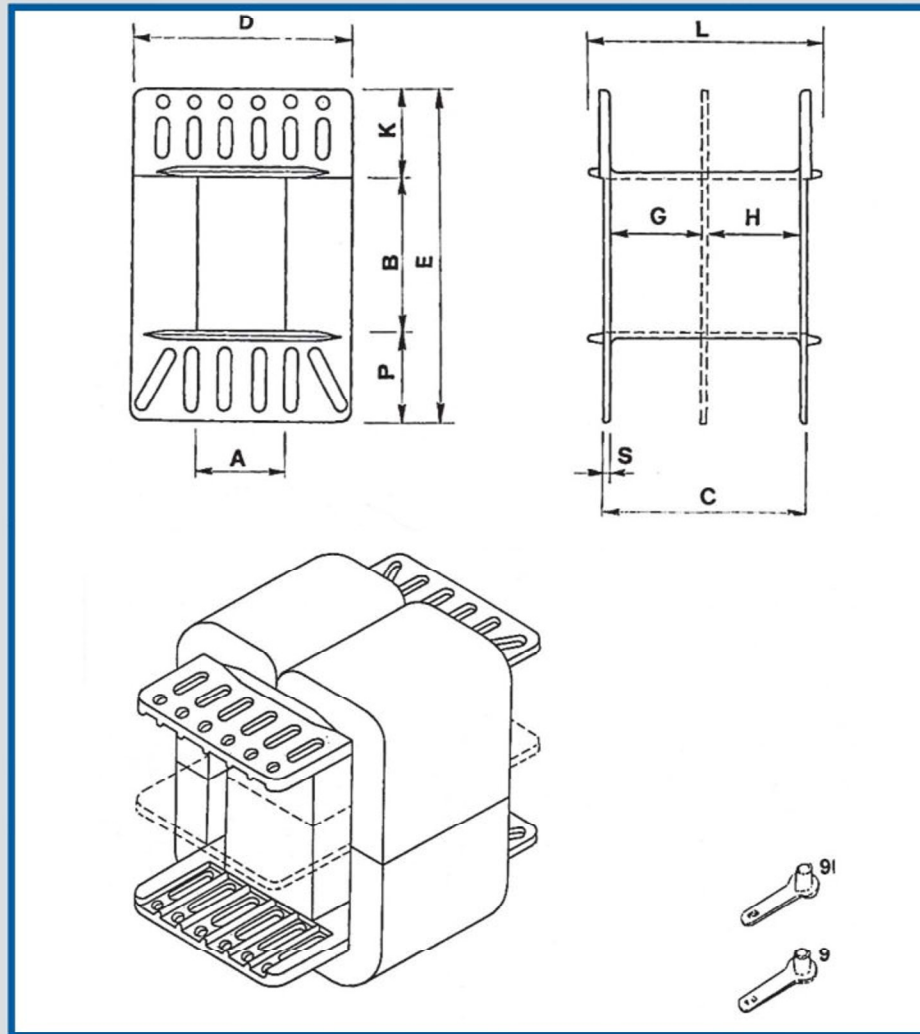


E CORE BOBBINS DOUBLE LOOP HWR/FA



REF.HWR	REF.FA	a	b	c	d	e	f	g	h	P	K	x3	S	L
10/8	Q13D/1	19,0	14,0	36,0	43,0	48				15,0	19,0		1,5	42
10/12	Q19D/1	19,0	21,0	36,0	43,0	56				15,0	20,0		1,5	43
10/16	Q25D/1	19,0	26,5	36,0	43,0	62				15,0	20,2		1,5	42
10/24	Q38D/1	19,0	39,5	36,0	43,0	72				15,0	17,5		1,5	43
30/12	T19D/1	23,0	20,5	49,0	53,0	62				18,0	23,5		1,5	54
30/16	T25D/1	22,5	26,5	49,0	52,5	67		23,8	23,8	18,0	22,5		1,5	54
30/20	T32D/1	22,5	33,5	49,0	52,5	73				18,0	21,5		1,5	54
40/20	U32D/1	22,5	33,5	54,0	57,5	79				21,0	25,0		1,5	59
40/24	U38D/1	23,0	40,0	54,0	57,5	85				21,0	24,5		1,5	59
50/14	V22D/1	28,5	23,5	60,0	72,5	77				25,0	28,5		2,0	65
50/18	V29D/1	29,0	31,0	60,0	72,0	84				25,0	28,0		2,0	65
50/24	V38D/1	29,0	39,0	60,0	72,0	93				25,0	29,0		2,0	65
50/32	V51D/1	29,0	53,0	60,0	72,5	107				25,0	29,0		2,0	65
70/18	X29D/1	35,0	31,0	72,0	90,0	92				36,0	36,0		2,3	79
70/24	X38D/1	35,0	40,0	72,0	90,0	102				36,0	36,0		2,3	79
70/32	X51D/1	35,0	53,0	72,0	90,0	122				33,5	35,5		2,5	80
90/44	Z70D/1	42,0	72,0	86,0	107,0	155				41,5	41,5		2,5	98