



UNIT 19  
 GREEN LANE INDUSTRIAL ESTATE  
 SECOND AVENUE  
 BORDLESLEY GREEN  
 BIRMINGHAM  
 B9 5QP

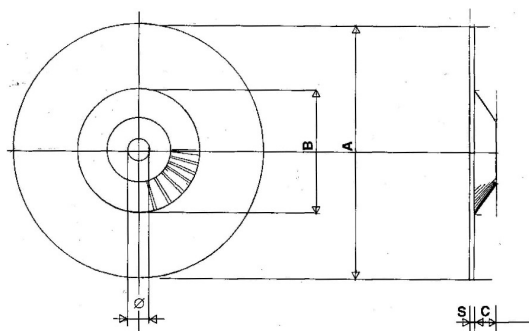
TEL : 0121 773 3090  
 FAX : 0121 773 3390

[www.ascocomponents.co.uk](http://www.ascocomponents.co.uk)

[sales@ascocomponents.co.uk](mailto:sales@ascocomponents.co.uk)

## TOROIDAL CLAMPING DISCS

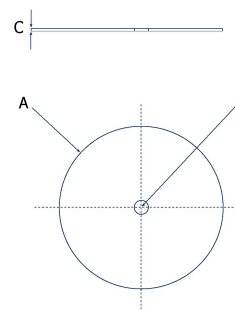
### GALVANISED METAL WASHER



PART No	A	B	C	ø	S
TW50	50	23.8	5.4	5.3	1.2
TW60	60	36	5.4	6.3	1.2
TW70	70	36.5	6.0	7.2	1.2
TW80	80	37	6.7	8.1	1.2
TW90	90	43.2	6.8	8.3	1.2
TW110	110	52.3	7.3	8.1	1.2
TW130	130	51.2	7.6	8.3	1.2

### BLACK NEOPRENE PAD

PART No	A	B	C
N50	50	7.0	1.5
N60	60	7.0	1.5
N70	70	8.0	1.5
N80	80	8.0	1.5
N90	90	8.0	1.5
N110	110	8.0	1.5
N130	130	10.0	1.5



All dimensions in mm